

## RELN TRADITIONAL PITS



### Domestic Traditional Pits

- Ideal for use under downpipes, as a junction box, or at the end of a surfacewater drainage channels
- Designed for large household surfacewater drainage
- Australian Made from 100% recycled plastic
- Available in Class A, B and C Grates. All grates comply to Australian Standards



#### 250 Rainwater Pit

Use a 250 Pit with bottom removed as a riser for 250 Pit



#### Series 300 Pit

300 Pit also available as a RELN Blackwater Distribution Pit



#### Series 300 Deep Pit

Risers available for 300 Pit and 300 Deep Pit



Leaf Guards available for 250, 300 and 300 Deep Pits

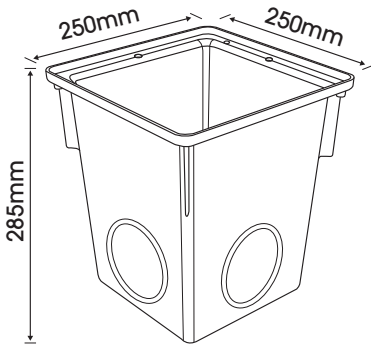
All 300 & 300 Deep Pits have Anti-Tamper Grates



## Light Domestic Traditional Pits

This complete range of square and environmental pits with conventional and security grates will suit every domestic application. Our range of innovative features and extensive grate options make installing simple and flexible for both DIYers and Trade.

- > **Series 250 - Capacity: 10.5L**  
 (250 x 250 x 285mm)  
 Also known as Rainwater Pit.



- Perfect under downpipes, as a junction box or at the end of surface water drainage channel
- Household surface water drainage

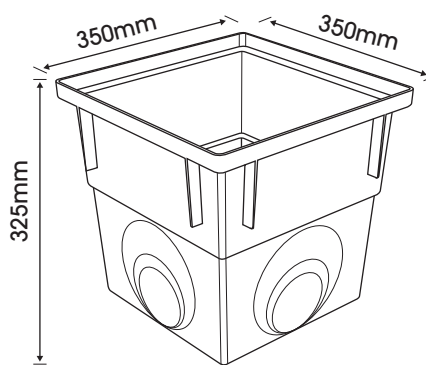
**Grate Options:** (248 x 248 x 8mm);  
 Black Plastic, Portland Grey Plastic,  
 Sandstone Plastic, Terracotta Plastic,  
 Plain Aluminium, Sandstone Aluminium,  
 Terracotta Aluminium, Architectural Steel

**Risers:** To be used with series 250  
 Rainwater Pit, with the base cut out

**Accessories:** Reln Leaf Guard Basket

**Display:** Brochure Available

- > **Series 300 - Capacity: 22L**  
 (350 x 350 x 325mm)



- Ideal for pedestrian and light vehicle traffic
- Large household surfacewater drainage

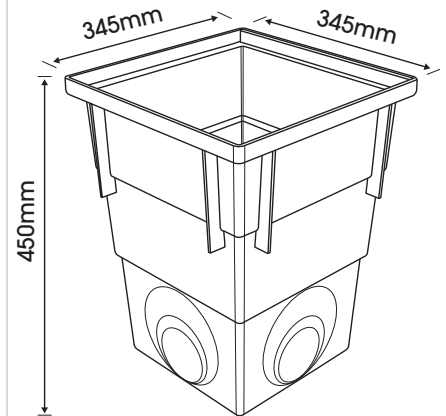
**Grate Options:** (330 x 330 x 20mm)  
 Plain, Sandstone and Terracotta  
 Aluminium, Ductile Iron Class C Civil,  
 Light Duty Galvanised Steel Class A,  
 Light Duty Heel Guard Galvanised  
 Steel Class A, Solid Alloy Lid

**Risers:** Height 250mm

**Accessories:** Reln Leaf Guard Basket

**Display:** Brochure Available

- > **Series 300 Deep - Capacity: 32L**  
 (345 x 345 x 450mm)



- Ideal for pedestrian and light vehicle traffic
- Large household surfacewater drainage

**Grate Option:** (330 x 330 x 20mm)  
 Plain, Sandstone and Terracotta  
 Aluminium, Ductile Iron Class C  
 Civil, Light Duty Galvanised Steel  
 Class A, Light Duty Heel Guard  
 Galvanised Steel Class A, Solid Alloy  
 Steel Lid

**Risers:** Height 250mm

**Accessories:** Galvanised Trash  
 Screen with handle.

**Display:** Brochure Available

### > Frequently Asked Questions

**Q1. Series 250 – where can you use this pit?**

A. Any area around your yard in combination with horizontal pipe work.

**Q2. Series 250 – are flat grates available?**

A. Yes. The 316 Electro polished Stainless Steel Architectural Grate is available for use with the Series 250 Rainwater Pit.

**Q3. What size pipes can connect to the pits?**

A. Traditional Pits run on a horizontal pipework and can connect to 90mm and 100mm PVC pipe. (Larger PVC stormwater pipes can run through the pits, just cut hole to size).

**Q4. What Risers are available?**

A. Risers are available for Series 300 (short and deep), 410, 450, 600 Pits. Series 250 Pit uses another Series 250 Pit with bottom cut out. Uni-Pit Vortex require no risers as they connect to vertical pipework. Polymer Concrete pits have their own risers.

**Q5. How do I fit the PVC pipe to the Traditional Pits?**

A. Use silicon to seal and secure pipework to Traditional Pits. Only Uni-Pit Vortex can be easily secured with silicon glue as well.

**Q6. What is the load rating of the grates?**

A. See our Class Load Rating table for more information.

**Series 250 pit complete with Black Grate**

**Product Code:** 002185

**Weight:** 1.2kg

**Load Rating:**  
Residential  
Light Duty

**Series 250 pit complete with Plain Aluminium Grate**

**Product Code:** 001102

**Weight:** 1.7kg

**Load Rating:**  
5 Tonne of Concrete

**Series 250 pit complete with Architectural Grate**

**Product Code:** 001141

**Weight:** 2.75kg

**Load Rating:**  
5 Tonne of Concrete

**Series 250 pit complete with Portland Grey Grate**

**Product Code:** 002209

**Weight:** 1.2kg

**Load Rating:**  
5 Tonne of Concrete

**Series 250 pit complete with Sandstone Grate**

**Product Code:** 002211

**Weight:** 1.2kg

**Load Rating:**  
5 Tonne of Concrete

**Series 250 pit complete with Terracotta Grate**

**Product Code:** 002208

**Weight:** 1.2kg

**Load Rating:**  
5 Tonne of Concrete

**Series 250 pit complete with Sandstone Aluminium Grate**

**Product Code:** 001380

**Weight:** 1.7kg

**Load Rating:**  
5 Tonne of Concrete

**Series 250 pit complete with Heritage Green Aluminium Grate**

**Product Code:** 002192

**Weight:** 1.7kg

**Load Rating:**  
5 Tonne of Concrete




250 Grate Only

**Series 250 pit Black Plastic Grate Only**



Product Code: 002215

Weight: 0.2kg

Load Rating:  
5 Tonne of Concrete



Perfect for under taps, down pipes or domestic applications

**Series 250 pit Plain Aluminium Grate Only**



Product Code: 001126

Weight: 0.7kg

Load Rating:  
5 Tonne of Concrete



Perfect for under taps, down pipes or domestic applications

**Series 250 pit Flush Aluminium Grate Only**



Product Code: 001127

Weight: 0.7kg

Load Rating:  
5 Tonne of Concrete



Perfect for pedestrian, paved areas and domestic applications

**Series 250 pit Architectural Grate Only**



Product Code: 001128

Weight: 1.75kg

Load Rating:  
5 Tonne of Concrete



Perfect for high end finish and pedestrian areas

**Series 250 pit Portland Grey Plastic Grate Only**



Product Code: 002210

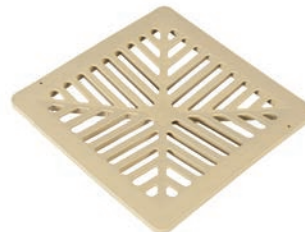
Weight: 0.2kg

Load Rating:  
5 Tonne of Concrete



Perfect for under taps, down pipes or domestic applications

**Series 250 pit Sandstone Plastic Grate Only**



Product Code: 002212

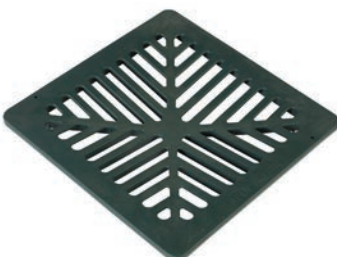
Weight: 0.2kg

Load Rating:  
5 Tonne of Concrete



Perfect for under taps, down pipes or domestic applications

**Series 250 pit Heritage Green Plastic Grate Only**



Product Code: 002222

Weight: 0.2kg

Load Rating:  
Residential  
Light Duty



Perfect for under taps, down pipes or domestic applications

**Series 250 pit Terracotta Plastic Grate Only**



Product Code: 002239

Weight: 0.2kg

Load Rating:  
Residential  
Light Duty

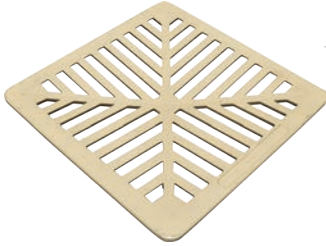


Perfect for under taps, down pipes or domestic applications



250 Grate Only / Series 250 Accessories / Series 250 Base Only

**Series 250 pit Sandstone Aluminium Grate Only**



Product Code: 001381

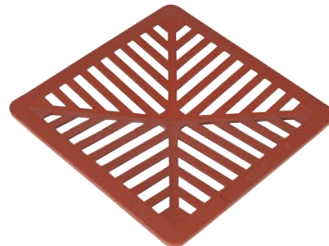
Weight: 0.7kg

Load Rating:  
5 Tonne of Concrete



Perfect for domestic applications

**Series 250 pit Terracotta Aluminium Grate Only**



Product Code: 002000

Weight: 0.7kg

Load Rating:  
5 Tonne of Concrete



Perfect for domestic applications

**Series 250 pit Base Only**



Product Code: 001119

Weight: 1kg

Load Rating:  
N/A



**Drain Guard - Small complete with Handle**



Product Code: 000209

Weight: 0.1kg





Series 300 complete with Grate

Series 300 pit complete with Plain Aluminium Grate



Product Code: 001003

Weight: 4.1kg

Load Rating:  
5 Tonne of Concrete



Series 300 pit complete with Galvanised Steel Class A Grate



Product Code: 002050

Weight: 6.3kg

Load Rating:  
**CLASS >A**  
330kg Light Duty



Series 300 pit complete with Heel Guard Galvanised Steel Class A Grate



Product Code: 002051

Weight: 6kg

Load Rating:  
**CLASS >A**  
330kg Light Duty



Series 300 pit complete with Solid Aluminium Lid



Product Code: 001010

Weight: 4.1kg

Load Rating:  
5 Tonne of Concrete



Series 300 pit complete with Ductile Iron Class C Civil Grate



Product Code: 002053

Weight: 8.6kg

Load Rating:  
**CLASS >C**  
5000kg Heavy Duty



Series 300 pit complete with Heritage Green Aluminium Grate



Product Code: 002017

Weight: 4.1kg

Load Rating:  
5 Tonne of Concrete



Series 300 pit complete with Sandstone Aluminium Grate



Product Code: 002025

Weight: 4.1kg

Load Rating:  
5 Tonne of Concrete



Series 300 pit Base Only



Product Code: 001027

Weight: 2.5kg

Load Rating:  
5 Tonne of Concrete





300 Deep Pit complete with Grate



Series 300 Deep Pit complete with Plain Aluminium Grate

Product Code: 002032

Weight: 4.6kg

Load Rating:  
5 Tonne of Concrete



Series 300 Deep Pit complete with Galvanised Steel Class A Grate

Product Code: 002036

Weight: 6.8kg

Load Rating:  
**CLASS >A**  
330kg Light Duty



Series 300 Deep Pit complete with Heel Guard Galv Steel Class A Grate

Product Code: 002037

Weight: 1.6kg

Load Rating:  
**CLASS >A**  
330kg Light Duty



Series 300 Deep Pit complete with Plain Solid Aluminium Grate

Product Code: 002038

Weight: 4.6kg

Load Rating:  
5 Tonne of Concrete



Series 300 Deep Pit complete with Sandstone Aluminium Grate

Product Code: 002033

Weight: 4.6kg

Load Rating:  
Residential  
Light Duty



Series 300 Deep Pit complete with Terracotta Aluminium Grate

Product Code: 002035

Weight: 4.9kg

Load Rating:  
5 Tonne of Concrete



Series 300 Deep Pit complete with Heritage Green Aluminium Grate

Product Code: 002034

Weight: 4.6kg

Load Rating:  
5 Tonne of Concrete



Series 300 Deep Pit Base Only

Product Code: 002030

Weight: 3kg

Load Rating:  
N/A





Series 300 Grate Only / Series 300 Accessories / Series 300 Deep Base Only & complete with Grate

**Series 300 pit Plain Aluminium Grate Only**



Product Code: 001034

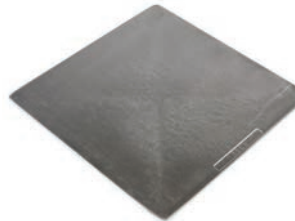
Weight: 1.6kg

Load Rating:  
5 Tonne of Concrete



Perfect for domestic applications

**Series 300 pit Solid Aluminium Lid Grate Only**



Product Code: 001041

Weight: 1.6kg

Load Rating:  
5 Tonne of Concrete



Perfect for domestic applications

**Series 300 pit Galvanised Steel Class A Grate Only**



Product Code: 002049

Weight: 3.8kg

Load Rating:  
**CLASS >A**  
330kg Light Duty



Perfect for domestic applications

**Series 300 pit Heel Guard Galvanised Steel Class A Grate Only**



Product Code: 002028

Weight: 3.5kg

Load Rating:  
**CLASS >A**  
330kg Light Duty

Perfect for domestic and pedestrian applications

**Series 300 pit Ductile Iron Class C Civil Grate Only**



Product Code: 002047

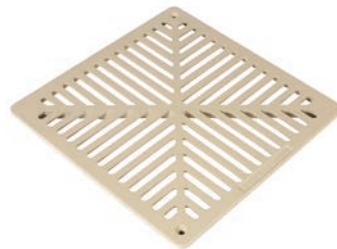
Weight: 6.1kg

Load Rating:  
**CLASS >C**  
5000kg Heavy Duty



Perfect for commercial applications

**Series 300 pit Sandstone Aluminium Grate Only**



Product Code: 002026

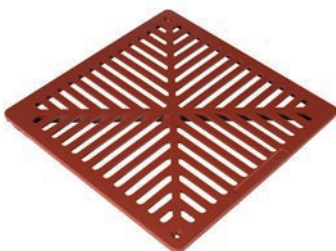
Weight: 1.6kg

Load Rating:  
5 Tonne of Concrete



Perfect for domestic applications

**Series 300 pit Terracotta Aluminium Grate Only**



Product Code: 002048

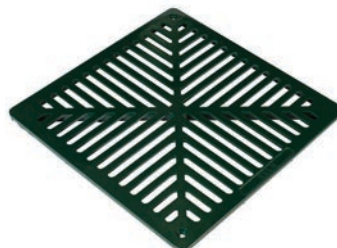
Weight: 1.9kg

Load Rating:  
5 Tonne of Concrete



Perfect for domestic applications

**Series 300 pit Heritage Green Aluminium Grate Only**



Product Code: 002031

Weight: 1.6kg

Load Rating:  
5 Tonne of Concrete



Perfect for domestic and garden applications





Drain Guard - Large / Distribution Pit

Series 300 Riser - 250mm



Product Code: 001004

Weight: 2kg



Series 300 Deep Pit Galvanised Steel Trash Screen



Product Code: 001094

Weight: 2.2kg



Drain Guard - Large complete with Handle



Product Code: 001011

Weight: 0.2kg



Series 300 Distribution Pit complete with Solid Aluminium Lid



Product Code: 000588

Weight: 3.65kg

Load Rating:  
5 Tonne of Concrete



Class Loading	Typical Use	Nominal Wheel Loading kg	Serviceability Design Load kN	Ultimate Limit State Design Load kN
<i>RESIDENTIAL</i>	Non-rated usage. Designed for residential applications such as pathways and driveways.	N/A	N/A	N/A
CLASS >A	Areas (including paths) accessible only to pedestrians and pedal cyclists and closed to other traffic.	330	6.7	10
CLASS >B	Areas (including paths and light tractor paths) accessible to vehicles (excl. commercial vehicles) or livestock.	2670	53	80
CLASS >C	Malls and areas open to slow moving commercial vehicles.	5000	100	150
CLASS >D	Carriageways of roads and areas open to commercial vehicles.	8000	140	210
CLASS >E	General docks and aircraft pavements.	13 700	267	400
CLASS >F	Docks and aircraft pavements subject to high wheel loads.	20 000	400	600
CLASS >G	Docks and aircraft pavements subject to very high wheel loads.	30 000	600	900



## RELN TRADITIONAL PITS

### Installation Instructions

#### Conventional Pits

1. Excavate hole for pit to required depth
2. Bed pit on a sand base to set top of pit at installed level
3. Mark and cut pipe holes as required
4. Install pit in hole
5. Connect pipes
6. Seal pipe and pit with silicone
7. When installing a riser, ensure riser is secured to pit with supplied nuts and bolts, with washer on each side of the assembly. Seal around Riser and Pit base with silicone
8. Install grate - leave grate installed whilst back - filling and concreting
9. Even backfill around pit
10. Support pits and risers in a concrete collar - 250 and 300 series min 100mm thick x min 150 wide - 450 & 600 series min 150 thick x min 150mm wide